

사용 설명서 USER MANUAL

# PL-3000



  
**ANYMI**

ANYMI PL-3000

---



Thank you for selecting our device.

Please read this user manual for better operation and safety before treatment.  
Also, keep this user manual where it can be found easily.

**If you have unusual skin type, please see your doctor before use it.**

Model : ANYMI IPL-3000

<b>04</b>	—————	Safety precautions
<b>06</b>	—————	Names of components and parts
<b>08</b>	—————	Preparation before use
<b>09</b>	—————	How to use
<b>10</b>	—————	AUTO & MUTE function
<b>11</b>	—————	Level settings
<b>12</b>	—————	Tips & Cautions
<b>15</b>	—————	How to replace the lamp cartridge
<b>16</b>	—————	How to Clean and Storage
<b>17</b>	—————	Checklist before reporting failure
<b>18</b>	—————	After service & Warranty Card
<b>19</b>	—————	Product Specification

---

## 04 / SAFETY PRECAUTIONS

---

In order to ensure safe operation, please be sure to read the user manual before use. Please do not use for purposes other than the purpose described in the manual. This product has been designed on the basis of risk management in order to ensure safe operation.

Please read the safety precautions before using the device and use it safely.

---

### Caution signs for safety

DANGER



Improper use can possibly cause death or serious injury

WARNING



Improper use can possibly cause minor injuries

CAUTION



Caution signs for safety

---

### Details are prohibited when the product is in use

PROHIBITON



Details are prohibited when the product is in use.

INDICATION



Be sure to keep preventing dangerous situations when the product is in use

DANGER



Customers who has transplant medical devices (implantable device), please be sure to prohibit as below. Concerns result in malfunction.

- Implanted medical electronic equipment such as pacemaker
- Medical electronic equipment for life support such as artificial heart
- Medical electronic equipment such as electrocardiographs mounts
- Others, medical electronic equipment attached to the body



Please be sure to read the user manual before use.

---

**DANGER****Be careful not to use the device with the history below.**

- Whom suffered from skin cancer or skin cancer in the past
- Whom used sensitive to light-induced drug within 6 weeks
- Whom received radiation therapy or chemotherapy minutes within the past 3 months
- Whom has tattoo, dark pigment of the treated area
- Whom has abnormal blood pressure
- Acute illness, infectious disease, TB disease, etc.
- Pregnant women or right after childbirth
- Whom easily get wounded or has weak skin type with physical stimulation.
- Whom has skin disorders (atopic dermatitis, inflammation, etc.) or allergies
- 19 years or less
- Whom has skin type after bathing or sore skin after sunbathing or tanning within a week
- Whom has skin troubles such as inflammation, wounds, burning marks, eczema. etc.
- The genital area and other sensitive areas
- Plastic surgery and tattoo areas
- The heart and nearby the heart
- Inflammatory or swollen areas due to diseases such as trauma of muscles
- Purulent acne area
- The skin tone is dark or near (cf. chart tone of the cover)
- Strictly prohibited the use of the device after LASIK and LASEK, and consult with a specialist for use it.

Please keep the product well after cleaning and tidy for the next use. In addition to those listed in the above-mentioned, if you have a problem with the sieving or unusual constitution or who is under current medical care or treatment, please be sure to consult with a doctor before use. If you have sensitive skin, please get the first experiments on inconspicuous area and see the result. If there is no problem, then use the device. If there is a problem, stop using it immediately and consult a skin specialist. After drinking or taking of drugs, or if you feel tired, please refrain from using. If the person who is in menstruation, may have side effects such as menstrual irregularity. Please use it the menstruation is ended.

**WARNING****Please keep the following points when handling power.**

(Concerns Electric shock, fire concerns)

- Do not use a damaged power cord nor loose outlet
- Do not pull the cord with wet hands nor touch the power plug.
- Do not bend the power cord forcefully or do not let pressed by the heavy object.
- Clean it if there is dust stuck to the power plug and the contact part (head).
- Avoid to use the device at the places  
(heat & humid, much dust, much vibration, and direct sunlight reaches)
- Use the power of AC100 ~ 240V
- Do not use force on the machine, or drop, apply shock to the outside.
- If you ever hear strange sounds, smell burning, see smoke in this product, stop using it immediately and unplug the power cord from the outlet, call A / S center or headquarters.
- Do not carelessly disassemble or alter or repair.
- Do not remove the cartridge from the probe while the power is turned on.  
(Be sure to disconnect the power OFF then remove the lamp cartridge)

### PL-3000 Please make sure that all the components are fitted

---



MAIN BODY 1EA



LAMP CARTRIDGE FOR  
HAIR REMOVAL 1EA  
(ATTACHED TO THE PROBE)



AC POWER CORD 1EA



USER MANUAL  
(WARRANTY CARD)



GOGGLES FOR EYE  
PROTECTION 1EA



GOGGLES POUCH

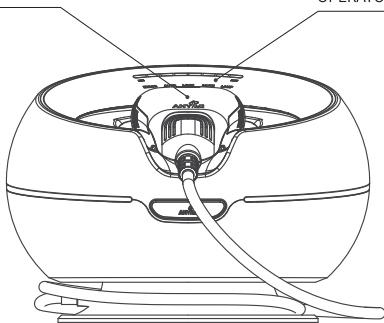
---

### PL-3000 Main body

---

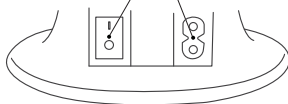
PROBE

OPERATOR PANEL

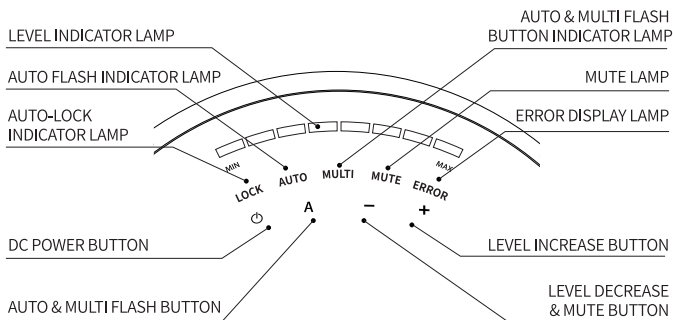


AC POWER SWITCH

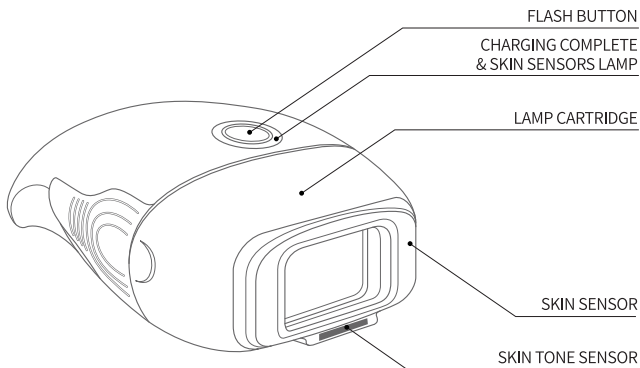
AC CORD INSERTING UNIT



## Control Panel



## Probe



---

### Preparation before use

1. Before use, shave the hair in the area you want to be treated. (24 hours before use)  
However, do not unplug the hair.
2. After removal hair, please wash your body clean and dry.
3. If you do not shave hair before treatment, the effectiveness can be halved.
4. Use in a cool environment (18 ~ 24 C).
5. Please use in a comfortable position and clothes.

There is a risk of failure if you use lotion or cooling gel on the treatment area during use. However, if you ice pack with ice on the area you get treated before treatment, it is safer.

---

### Product preparations before using

1. Please spin around the probe wire that is located on the bottom of the main body in a clockwise direction(Please use the probe wire is disappointed by increasing long).
2. Please check that the lamp cartridge is properly seated in the probe  
(To replace the cartridge, see page 15).
3. Place the probe into the probe holder correctly.
4. Please plug the cord into an electrical outlet.
5. Please wear goggles for eye protection (UV protection)  
(However, if you are using goggles in the dark environment, it may be dangerous cannot confirm the skin condition. If you are in the room, be sure to turn on the lights as close to natural light, use it in bright places)

Please prepare the ice for cold pack.

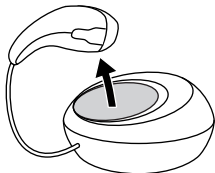
---



01

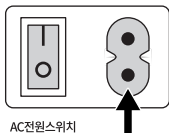
Please withdrawn upward probe from the probe holder.

(Hair removal lamp cartridge is mounted on the probe)



03

Plug the cord into an AC outlet, press the power switch on the back.



05

You may adjust the energy levels as you wish and use IPL and start using IPL by putting the probe on your skin area you wish to get the treatment.

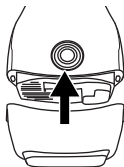
The first flash is allowed only by level 5 for safety, but you may adjust the energy level 1~8 after the first flash.

(For level settings, see page 11)

02

Please attach the lamp cartridge you wish to use.  
(See page 15 for replacing the lamp cartridge)

In the probe a "click" sound, Please insert the lamp cartridge to the proper place  
(If the lamp cartridge is inserted properly, you hear "click" sound)  
You cannot get exchange nor refund due to damage because you inserted the lamp cartridge incorrectly.

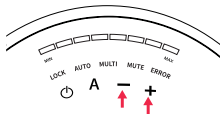


04

Press and hold the DC power button on the main body for about 2 seconds.

(The power is turned on (LOCK LED is on) but still the safety shut-off device for child protection is activated)

⊖ ⊕ If you press buttons at the same time for a few seconds, the lock will be released and Level 1 will be set automatically.



06

Please be noted that the flash starts as long as the probe is on your skin area.

### Safety feature

It will turn off power automatically if you do not use it for 10 minutes.

### Radiating a limit

You have a lifetime of approximately 1,000,000 Shot by the multi level 1 stage.  
Lifespan of lamp cartridge can vary depending on what energy level you use it.  
If the lifespan is less than 100,000 the level 1 LED replacement lamp is on and off, you still may use lamp cartridge but just indicating the lifespan of the lamp cartridge, it is time to replace the lamp cartridge with a new one.

※If the lamp cartridge life is 100%, ERROR LED indicator lamp blinks, and the lamp is turned off.  
(At this time, the lamp cartridge cannot be used anymore but you are able to turn on and off the power.)

---

### AUTO MODE (Auto function)

**It is a function that cleanses the skin tone by using multi pulse.  
Four short shots consecutively for a short time**

- ▶ Pressing the (A) button while the power is on will automatically turn on AUTO LED and will start flashing automatically.  
In AUTO mode in order to flash again after the first flash, you should wait about 4 seconds for safety, the AUTO function is allowed to be only five steps.  
If you press the AUTO button at level 6 or higher level, it automatically moves to the level 5.  
(You can't increase levels more than level 5 in AUTO mode; ERROR LED will be shown)

※If you want to turn off the AUTO function, press the (A) button again.

---

### MULTI PULSE (MULTI mode function)

**For your convenience, set auto mode then you do not have to press flash button. It will automatically flash**

- ▶ Manual multi shot selection (Level 1 to Level 8 are available)  
In normal operation, if you press and hold the (A) button for 2 seconds, the buzzer sounds twice and the MULTI LED lights up.
- ▶ Auto Multi Shot Selection (Level 1 to Level 5 are available)  
In AUTO mode, press and hold button (A) for 2 seconds, the buzzer sounds twice and the MULTI LED lights up.

※If you want to release the multi shot, press the (A) button for less than 1 second, and the AUTO and MULTI LED will turn off.

---

### MUTE mode (Mute function)

**- For your convenience, the "beep" sound would not be heard**

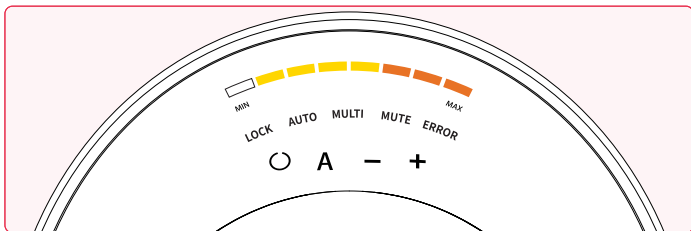
- ▶ If you press the (-) button while the power is on (within 1 second) it will be muted on and the MUTE LED.

※If you want to release the multi shot, press the (A) button for less than 1 second, and the AUTO and MULTI LED will turn off.

---

## Level settings

1. 8-step energy level can be set. H-type lamp cartridge for hair removal is included as standard (H-type: Level 1 ~ 8). Lamp cartridge for Skin (D-type) is optional (sold separately)
2. Higher level, higher effects but may cause redness or pains in the skin, so please use lower the levels according to skin conditions.
3. It is recommended that first-time customers to use from "Level 1".  
Energy level is set automatically to the "level 1" for the first operation.  
Set the energy levels with (+) (-) buttons
4. Those who have dark skin, please refrain from using it may cause pain or burns.  
Look at the back cover of the printed 'SKIN TONE SAFE CHART' colors in this user manual, please check the available levels.



Level 1; White LED / Level 2~5; Yellow LED / Level 6~8; Orange LED

Thermal relaxation time can be different depending on the individuals.  
It is recommended not to flash hastily for the skin health.

### What is Thermal relaxation time?

If the object absorbs heat, the temperature rises. Meanwhile, to dissipate heat into the surrounding cool down the process proceeds.

If the temperature applied to the same column, the larger the volume of the object as well as take a long time to rise to a certain level, and then stops the supply of heat takes a long time for the temperature to fall to the original state. Thermal relaxation time is that after the heat is applied to an object, temperature rise, cool down process is proceeding, the temperature rises up to half of the time it takes.

## TIPS & CAUTIONS

---



---

## Effective Use

### ▶ BODY(for hair removal H type lamp cartridge)

1. Remove the hair thoroughly the day before the treatment  
(Only shave, do not unplug the hair and do not use IPL on the area you unplug the hair).
2. Cleansing the skin thoroughly with soft foam before use.
3. For dry skin, set the level as level as low as possible.
4. If you ever see a skin rash during the treatment, stop using IPL immediately. Make your skin cool down with cold pack or moisturizer. The rash can last 2-3 days, but it will get improved with 2~3 days. If you feel inconvenient, please visit the nearest hospital, please consult your doctor.
5. The use of the same area in a continuous strictly forbidden, one to three times during one procedure according to the conditions of the skin, use of one to three times a week intervals.
6. After treatment, recommended to apply a moisturizer with sunscreen on the treated areas and wear long sleeve and pants to be protected from such pigmentation.  
(However, apply the sunscreen every day)

※ Wear eye goggles when using a cartridge for hair removal.

### ▶ FACE(for skin D type lamp cartridge)

1. Be sure to wash (cleansing and removing dead skin cells)
2. Soothe your skin with steam or warm towel
3. Use in the low level (1-2 level recommended), be careful not to damage to the hair, eyebrows and careful, be careful not to be touched with your nose & cheeks and filter(quartz).  
(The surface of the filter is hot and it can cause burn)
4. The use of the same areas in a continuous strictly forbidden, one to three times during one procedure according to the conditions of the skin, it is recommended that you use once a week.
5. After using IPL, it is strictly forbidden the use of vitamin C, if you want to use, we recommend that you use in bi-weekly.(After IPL, use moisturizer and a pack for one week, for another week, no IPL but using vitamin C, etc.)
6. After IPL, using the cold Moisturizer / facial mask is good for skin health.
7. After IPL, please apply sunblock lotion when you go outside.

※ Please wear goggles for eye protection, if you do not wear goggles, please do not see the light directly.

---

### Preparation before use

► After using IPL, things to be careful.

- After treatment, please apply moisturizer to make the skin cool down (Apply to dry skin continuously).
- Please refrain hot bath after treatment.
- Do not stimulate by rubbing the treatment area.
- Avoid direct sunlight during the remaining red dots, use sunscreen to prevent pigmentation.
- The rash can last 2-3 days, but it will get improved with 2~3 days. If you feel inconvenient, please visit the nearest hospital, please consult your doctor.
- Please do not get exposed to ultraviolet light for four weeks or more. Please wear long pants and long-sleeved shirt. Please apply sunblock lotion. (Even if you do not use anymore the IPL, please apply sunblock lotion on a daily basis for 4 weeks)
- After armpit treatment, avoid sweat inhibiting drug for 2 weeks.

► Please keep the followings when using the lamp cartridge.

- If you use this product, please be sure to wear UV-blocking goggles for eye protection.
- Level Selection and exclusions according to skin color, refer to the manual cover.
- If you get the treatment for a long time, the quartz can be hot. In this case, please wait to cool for a while and get the treatment again.
- Level must be carefully selected.
- Do not flash towards to human eyes nor look at the light directly from the lamp cartridge.
- Please check the status of the lamp (before/after use) If there is coloring or contamination of black spots or damaged on the lamp cartridge, please replace the lamp cartridge with the new one.
- During use, please do not press strongly the cartridge into the skin.
- Do not flash on only one area.

► This product has the following symptoms may occur.

- Burns or blisters may occur.
- Heat or pain with tingling or itching on the treated area may occur.
- Shortly after treatment or within 24 hours, may see a rash or swollen, but they will be disappear after 2~3 days. Until Symptom to be treated, it may take a long time.
- Shortly after the treatment, Color of skin can be darker (pigmentation).  
If you feel a tingling pain during use, or if the skin redness stood after use, please, massage Immediately with cold wet towel or cold pack or ice.
- After treatment, it is recommended to use sunscreen when going out.

► If you experience any of the following symptoms, please stop treatment and consult with your doctor.

- If blisters or burns occurred.
  - If Redness, itching may occurred.
  - If the dye deposition takes place over a long period of time (2-3 days).
-

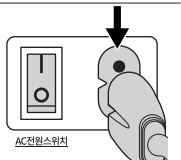
01

Turn off the AC power switch on the back



02

Disconnect the power cord from the AC cord insert.



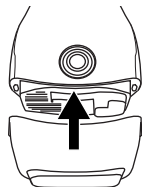
03

In order to separate the lamp cartridge from the probe, press the both sides of hook on probe, hold the top and bottom of lamp cartridge and shake gently.



04

Replace the lamp cartridge for different purposes, and mounting holes match the probe.



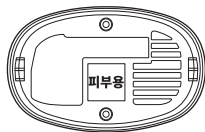
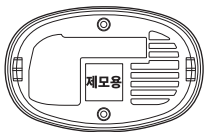
05

Please dispose of end-of-life cartridges into the trash.

**Types of lamp cartridge** There are two kinds of lamp cartridges “Hair removal”, “Skin”; each lamp cartridge has a purpose indicated below.

▶ Hair removal cartridge

▶ Skin cartridge



**Lamp cartridge is a consumable and it has a lifespan.**

- The device is programmed to automatically calculate the lifespan of lamp cartridge, by summing the number of uses for each level, calculate the shots as Max. 1,000,000 Shots based on the Multishot.
- When lamp cartridge life is over 90%, LED light is flashing. This is the time you need to replace the lamp cartridge.

### How to clean

- ▶ **Main body** After use, please turn off the AC power switch on the back of the main body and then unplug the power cord gently. Then, wipe any dirt or contamination with a soft cloth.
- ▶ **Probe** After use, be sure to clean the filter section. Please bury a dry cloth with mild detergent or alcohol that is diluted with water. Gently wipe the foreign material attached to the lamp glass. Wipe gently with a dry cloth then make it dried.

※ Please keep in mind the following when cleaning the product.

**If additional severe contamination, use a soft cloth moistened with alcohol for disinfection.**

**WARNING**



Do not clean the main body, probe, lamp cartridge, etc. with water.  
It may cause electric shock or malfunction.

**Caution**



Thinners and benzenes are the cause of deformation and discoloration.  
Do not use it to clean the device.

### How to keep

1. Keep it at the place there is no harmful chemical ingredients, well-ventilated and not humid.
  2. Keep away from direct sunlight.
  3. Consumers recommended storage temperature : 5 ~ 35°C,  
Consumers recommended storage humidity (relative humidity) : 20-80%
-



**Q** \_\_\_\_\_

**There is NO POWER.**

**A** \_\_\_\_\_

- Make sure the power cord is plugged into an outlet and tight to the body.
- Please check whether the back of the AC power switch is turned ON.

**Q** \_\_\_\_\_

**I cannot see the light when you press the flash button.**

**A** \_\_\_\_\_

- Make sure the complete the probe lamp is on in green.
- If the charging complete lamp is not on after 10 seconds, please turn off the main power and back on.
- If error lamp is turned on, please turn off the power of the main body and turn the power back on.
- Make sure the flash surface is properly connected with the skin.
- Make sure the probe and the cartridge is installed correctly.
- If you use this device for a long time it may not flash because it gets too hot.  
In this case, turn off the power and please make the device cool down for 30 minutes.

**Q** \_\_\_\_\_

**Error lamp is on.**

**A** \_\_\_\_\_

- If you are not sure that the cartridge is mounted. Turn off the AC power switch on the back of the main body, please check the cartridge is mounted then turn the power back on.

**Q** \_\_\_\_\_

**Power is on but the charge completion lamp is not on.**

**A** \_\_\_\_\_

- Please check the error lamp.  
If charging complete lamp is not on after 10 seconds, please turn the power off and on again.  
If used for a long time the power off and let cool for 30 minutes.
-



## WARRANTY CAR

- ▶ **PRODUCT :** INTENSE PULSED LIGHT (IPL)
- ▶ **SERIAL NUMBER :** DISPLAYED ON THE BOTTOM OF THE PRODUCT AND PACKAGING BOX
- ▶ **WARRANTY :** 1 YEAR FROM DATE OF PURCHASE BODY (LAMP CARTRIDGE IS NOT COVERED UNDER WARRANTY BECAUSE IT'S A CONSUMABLE PRODUCT)

---

▶ **CUSTOMER NAME :**

▶ **ADDRESS :**

▶ **TELEPHONE :**

---

▶ **SELLER :**

▶ **ADDRESS :**

▶ **TELEPHONE :**

▶ **FAILURE AND REPAIR HISTORY :**

---

### WARRANTY REGULATIONS

- You may receive the free maintenance service with the conditions as below.**
  - ① Within free warranty period
  - ② Product defects (except for consumables, accessories, etc.)
- Exceptions**
  - ① If you do not have the warranty card or no information of date of purchase, customer's name, seller's information or fake documents
  - ② Break down by Natural disasters (fire, salt damage, flood, etc.)
  - ③ If failed to observe the precautions in the User's Guide.
  - ④ Repair, alteration or careless usage by customer
  - ⑤ If you use with the optional accessory not supplied by ilwoolectron or malfunction by dropping the product accidentally or on purpose
- Lifespan of replacement parts such as probe cord, switches can be shortened depending on your usage habits and the environment. Even during the warranty period, repair fee may be charged to the customer depends on the fault of the customer or not.**
- Please ask for warranty service to the seller you purchased or the manufacturer**
- Please do not forget to keep warranty (It does not be reissued).**
- Warranty is valid only for personal use.**
- SPA, Aesthetic House, etc. such as when used by switching commercial road will void the warranty.**

## Specification

<b>NAME</b>	Intense Pulsed Light
<b>MODEL</b>	ANYMI PL-3000
<b>POWER</b>	AC100~240V, 50/60Hz, 250VA
<b>LIGHT SOURCE</b>	Xenon Lamp
<b>LIFE SPAN OF LAMP</b>	1,000,000회 ( based on multilevel1 )
<b>CARTRIDGE</b>	3.2cm x 2.2cm
<b>FLASH SIZE</b>	220mm(W) x240mm(D) x168mm(H)
<b>SIZE OF MAIN BODY</b>	1.5Kg

## Display by the Medical Devices Act

<b>MANUFACTURER</b>	ilwooelectron Co., Ltd.	
<b>MANUFACTURING COUNTRY</b>	Republic of Korea	
<b>ADDRESS</b>	ILWOO B/D 9th FL, 21, Saneop-ro 7 beon-gil, Ojeong-Gu, Bucheon-Si, Gyeonggi-Do	
<b>MANUFACTURING AUTHORIZATION NUMBER</b>	Article No.2594	
<b>MANUFACTURING MARKETING AUTHORIZATION NUMBER</b>	No. 13-1919	
<b>SERIAL NUMBER</b>	Based upon products	
<b>DATE OF MANUFACTURE</b>	Base during production	
<b>WEIGHT</b>	1.52Kg	
<b>HOW TO USE AND PRECAUTIONS</b>	Based on this user manual	
<b>PURPOSE OF PRODUCT USE</b>	Device helps the treatment such as skin disease through intense pulsed light (IPL) that emit the intensity of the energy.	

## This product is a “medical device”.

SKIN TONE SAFE CHART

ok	ok	ok	Level 1~4	Caution	Warning
----	----	----	--------------	---------	---------

  
**ANYMI**